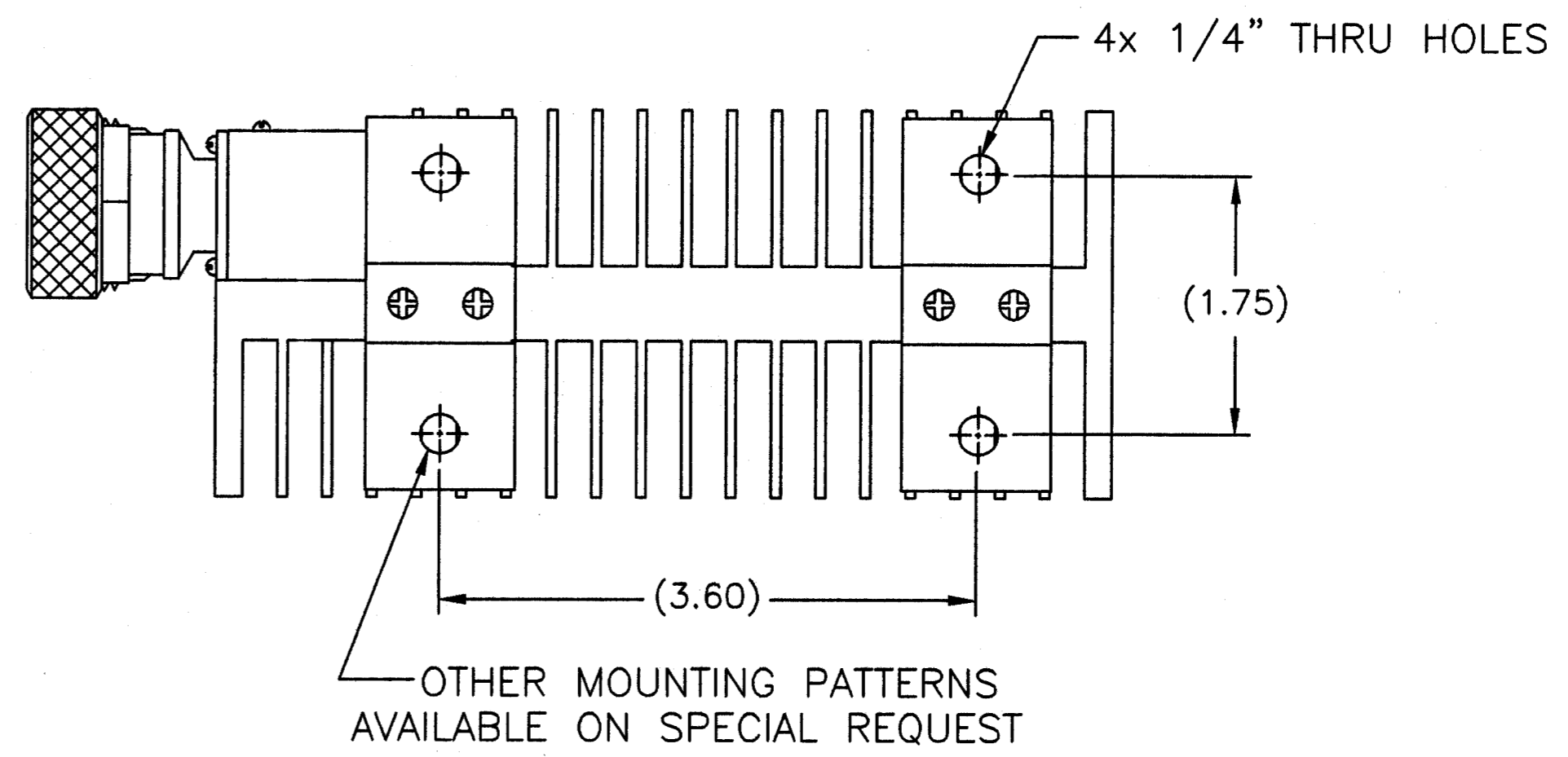
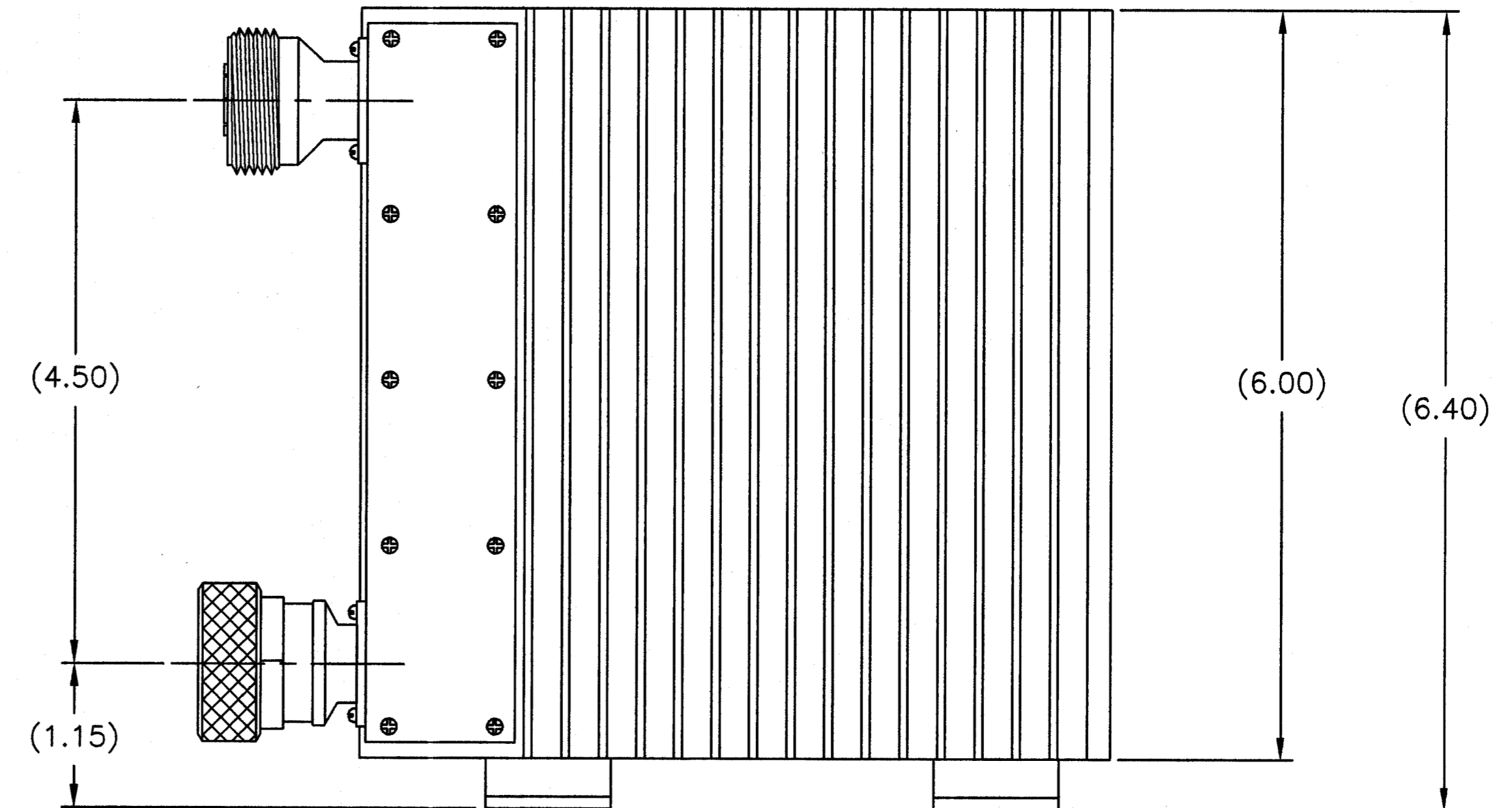
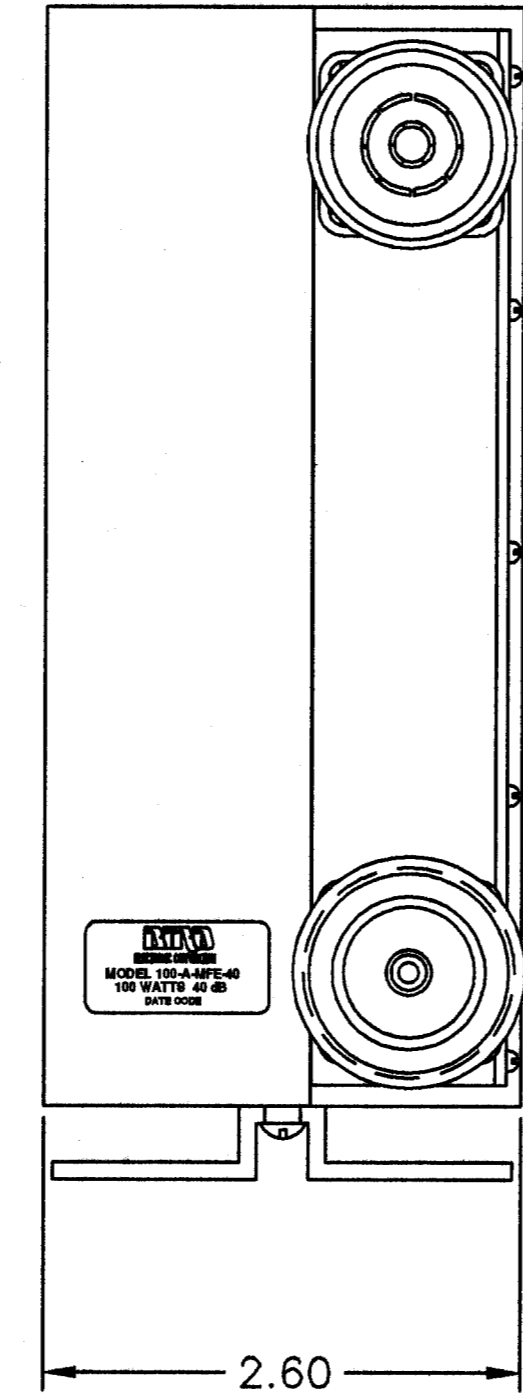
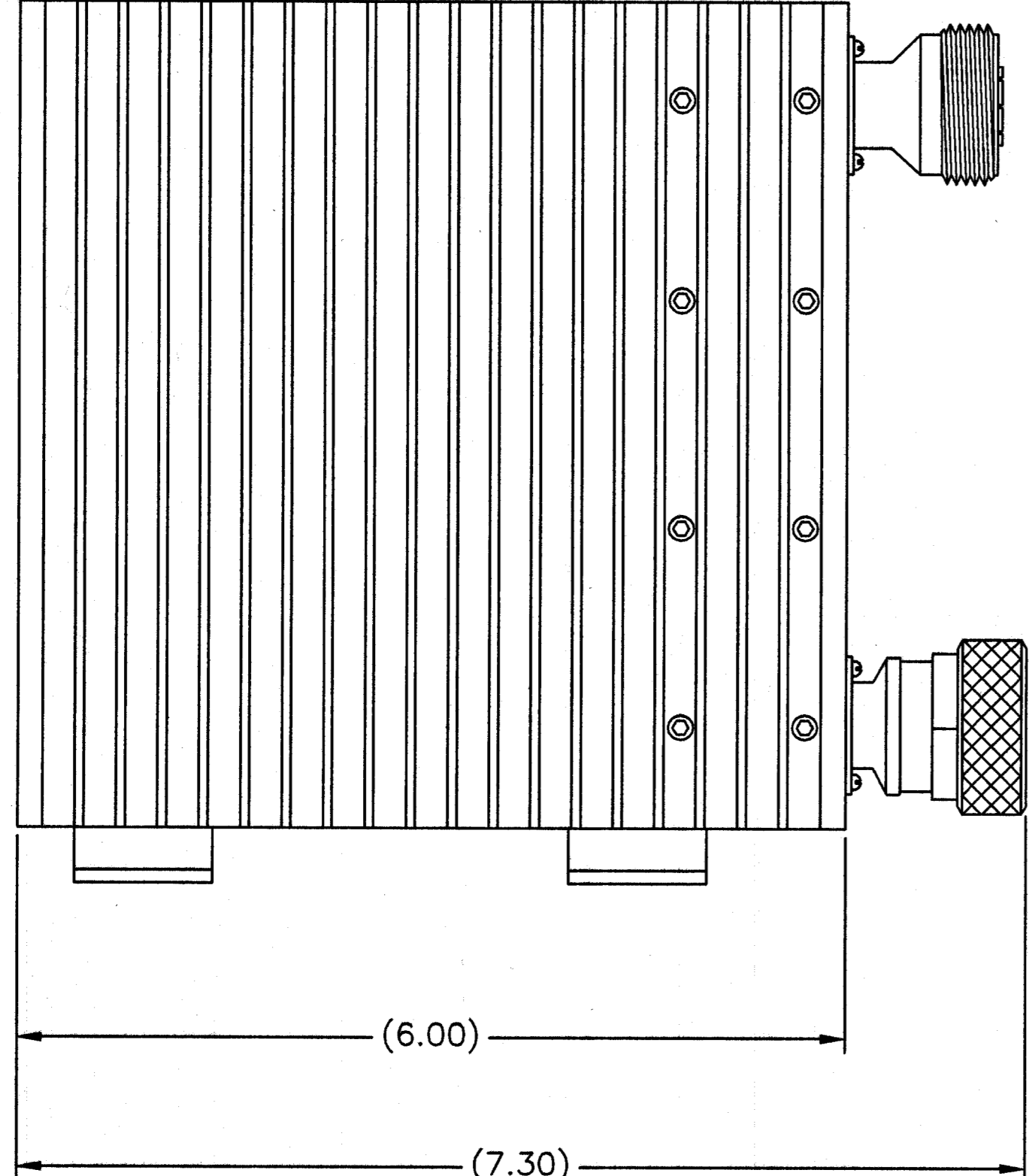


SPECIFICATIONS:
 POWER RATING: 100 WATT CW, BI-DIRECTIONAL
 FREQUENCY RANGE: DC TO 2.4GHz
 ATTENUATION VALUE: 40dB
 VSWR AND ATTENUATION ACCURACY:
 DC TO 1GHz AT 1.10:1 MAX., ±1.0dB
 1GHz TO 2.4GHz AT 1.25:1 MAX., ±2.0dB
 AMBIENT TEMPERATURE RANGE: -40°C TO +40°C
 CONNECTORS: IEC 7/16 MALE AND FEMALE
 - TRI-ALLOY PLATED
 OPERATING POSITION: VERTICALLY
 WEIGHT: APPROX. 3.6 LBS

REVISIONS				
ZONE	REV	DESCRIPTION	DATE	APPROVED
	A	CONVERT TO BEC FORMAT	DMR 2-21-03	MAJ



DIMENSIONS HEREON ARE FOR CUSTOMER CONVENIENCE AND REFERENCE ONLY. TOLERANCE TO BE APPLIED ONLY WHERE INDIVIDUALLY STATED ON THE RESPECTIVE DIMENSION. -DO NOT SCALE DRAWING-

UNLESS OTHERWISE SPECIFIED DIMENSIONS ARE IN INCHES		MILLIMETERS		THIS DRAWING IS THE PROPERTY OF THE BIRD ELECTRONIC CORPORATION. THE DESIGNS AND SPECIFICATIONS DISCLOSED HEREON ARE PROPRIETARY AND SHALL NOT BE REPRODUCED, NOR COPIED, NOR USED AS THE BASIS FOR THE MANUFACTURE OR SALE OF APPARATUS OR DEVICES WITHOUT THEIR EXPRESS WRITTEN CONSENT.	
TOLERANCES ARE:		3/16 & .4		BIRD Electronic Corporation	
FRACTIONS		DECIMALS		CLEVELAND (Solon) Ohio USA	
± 1/64		± 0.005		ATTENUATOR, CONVECTION COOLED	
DO NOT SCALE DRAWING		DO NOT SCALE DRAWING		IEC 7/16 MALE/FEMALE, 40dB, 100W	
MATERIAL		APPROVALS		DATE	
DRAWN		D.M.RINK		2-21-03	
CHECKED					
APPROVED		MREZ		6/15/03	
FINISH		AUTOCAD		SCALE 1:1	
				OSM CODE AT1	
				SHEET 1 OF 1	

DWG NO. 100-A-MFE-40 REV A